



TRAFFIC
HARDWARE
+ DESIGN



SPECIALIZED BRACKETS

OVERVIEW

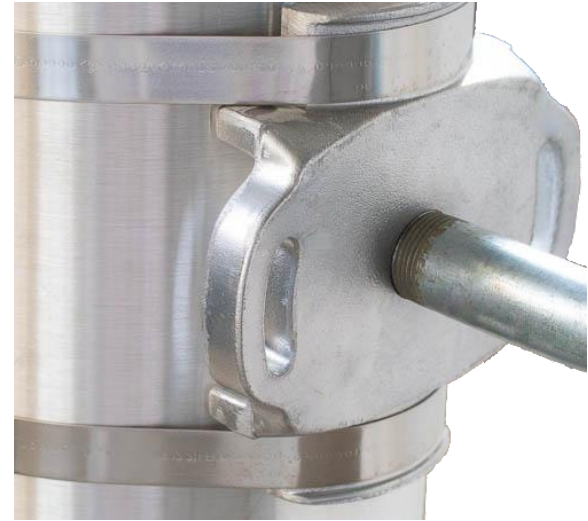
Our Pre-emption 3/4" and Pre-emption 1.5" Brackets like all of our products combine industry established quality and hands on, practical innovation.

The Pre-emption Bracket 3/4" was designed to hang pre-emptive detection equipment but works just as well for any other devices requiring 3/4" mounting diameters

Similar is the 1.5" Pre-emption Threaded Bracket, designed for any and all devices requiring 1.5" diameter mounting points including side of pole for pedestrian arms, camera mounts and various other equipment on poles.

FEATURES—SPAN WIRE HANGER

- Installation friendly
- Strong & durable
- Multi Purpose



CONTACT US:

CANADA: (905) 670-3444

US/TOLL FREE: 1-844-668-6848



SPECIALIZED BRACKETS

ORDERING INFORMATION

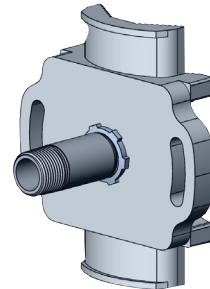
PART NUMBER	DESCRIPTION
NLT-OPT	Pre-emption Bracket (3/4" diameter)
NLT-T15	Pre-emption Bracket Threaded (1.5" diameter)
Additional options available. Contact sales for details	

SUPPORT & WARRANTY

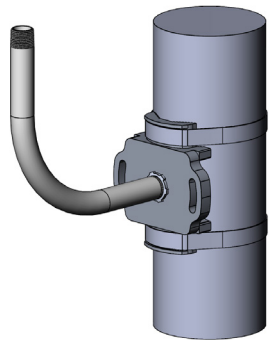
We believe so much in the quality of our products that we offer an industry leading support and warranty program, five years of warranty from date of initial purchase. If it breaks on installation we will replace it, no questions asked.

SPECIFICATIONS

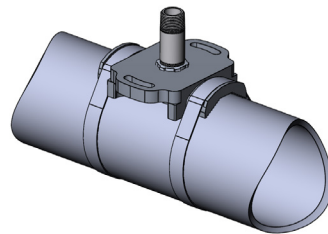
Material: Primary grade aluminum
Finish: Cast aluminum can be painted as requested
Machine: Computer numeric controlled machining(CNC) to within 0.001" of Specification



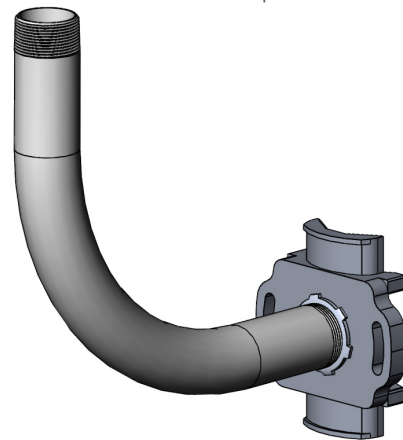
3/4" Pre-emption Bracket



Pre-emption 1.5" Bracket



Pre-emption 3/4" Bracket



1.5" Pre-emption Bracket

CANADIAN OFFICE/WAREHOUSE

1641 Trinity Drive
 Mississauga, ON L5T 1K4
www.traffichardware.com

CENTRAL OFFICE

300 International Drive, Suite 100
 Buffalo, NY 14221
www.traffichardware.com