



TRAFFIC
HARDWARE
+ DESIGN



CAN-BRAC VAN-BRAC SAFETY CLAMP™

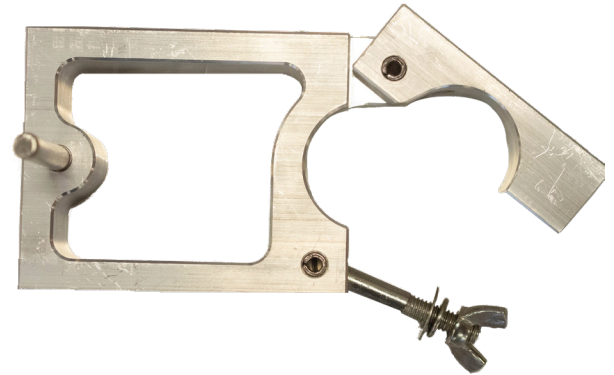
OVERVIEW

The CAN-BRAC™ Van Brac Safety Clamp is the latest in our CAN BRAC line of products that combine industry established quality and hands on, practical innovation. The Van Brac Safety Clamp like many of our brackets was designed with Installation in mind aiming to make it faster, easier and above all safer.

Traditionally an installers fight gravity and weight, however by using a Van Brac one is able to temporarily and safely hold the signal head until the gusset tube clamps can be permanently installed. Using the Van Brac the installer has both hands free to align or adjust the head. installation with the Van Brac Clamp is faster, more efficient and above all safer for the installer and their surroundings.

The CAN-BRAC™ Van Brac Safety Clamp attaches to the signal assembly via the extruded tube, not requiring additional specialized tools or tricky torque specs. Standard SAE wrenches are all you need to install. No need for a helping hand or second wrench when tightening the cable. It's so easy, all you need to do is install it and forget it.

The CAN BRAC™ Van Brac Safety Clamp is made of aluminum, designed for maximum strength, corrosion resistance and ductility.



CONTACT US:

CANADA: (905) 670-3444

US/TOLL FREE: 1-844-668-6848



CAN-BRAC VAN-BRAC SAFETY CLAMP

ORDERING INFORMATION

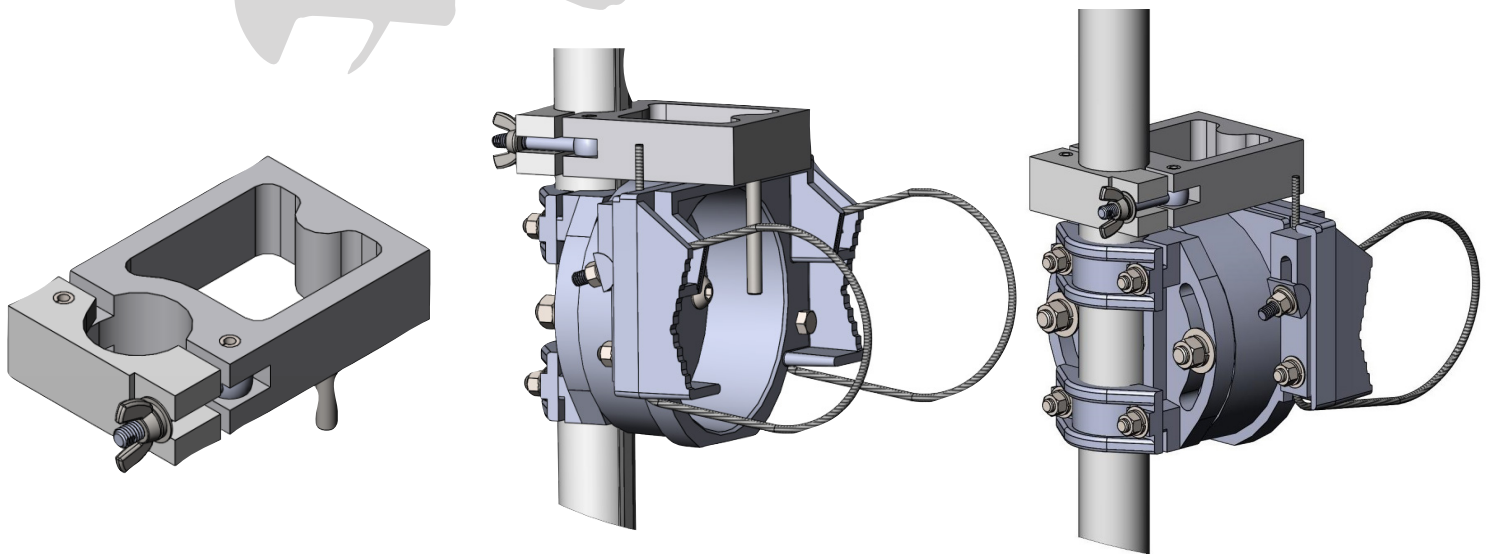
PART NUMBER	DESCRIPTION
VANBRAC	CAN-BRAC Van Brac Safety Clamp

SPECIFICATIONS

Material: Aluminum

SUPPORT & WARRANTY

We believe so much in the quality of our products that we offer an industry leading support and warranty program, five years of warranty from date of initial purchase. If it breaks on installation we will replace it, no questions asked.



CANADIAN OFFICE/WAREHOUSE
1641 Trinity Drive
Mississauga, ON L5T 1K4
www.traffichardware.com

CENTRAL OFFICE
300 International Drive, Suite 100
Buffalo, NY 14221