



TRAFFIC  
HARDWARE  
+ DESIGN



# SPECIALIZED BRACKETS

## OVERVIEW

---

Our Pre-emption 3/4" and Pre-emption 1.5" Brackets like all of our products combine industry established quality and hands on, practical innovation.

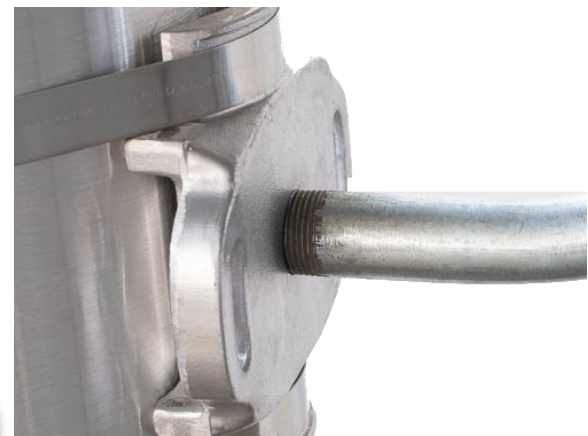
The Pre-emption Bracket 3/4" was designed to hang pre-emptive detection equipment but works just as well for any other devices requiring 3/4" mounting diameters

Similar is the 1.5" Pre-emption Threaded Bracket, designed for any and all devices requiring 1.5" diameter mounting points including side of pole for pedestrian arms, camera mounts and various other equipment on poles.

## FEATURES—SPAN WIRE HANGER

---

- Installation friendly
- Strong & durable
- Multi Purpose



***CONTACT US:***

**CANADA: (905) 670-3444**

**US/TOLL FREE: 1-844-668-6848**



# SPECIALIZED BRACKETS

## ORDERING INFORMATION

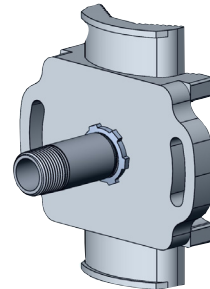
PART NUMBER	DESCRIPTION
NLT-OPT	Pre-emption Bracket (3/4" diameter)
NLT-T15	Pre-emption Bracket Threaded (1.5" diameter)
Additional options available. Contact sales for details	

## SUPPORT & WARRANTY

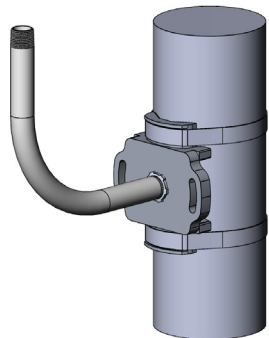
We believe so much in the quality of our products that we offer an industry leading support and warranty program, five years of warranty from date of initial purchase. If it breaks on installation we will replace it, no questions asked.

## SPECIFICATIONS

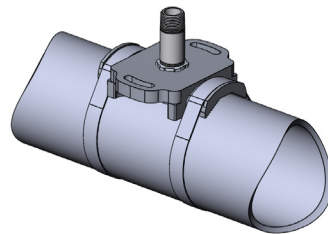
**Material:** Primary grade aluminum  
**Finish:** Cast aluminum can be painted as requested  
**Machine:** Computer numeric controlled machin(CNC) to within 0.001" of Specification



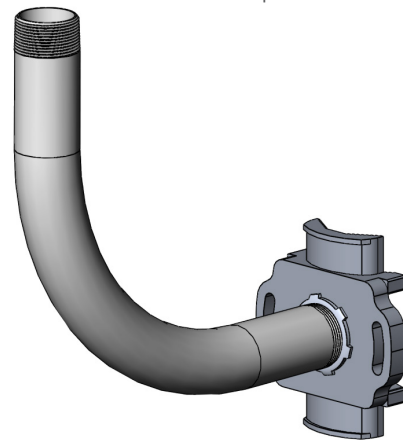
3/4" Pre-emption Bracket



Pre-emption 1.5" Bracket



Pre-emption 3/4" Bracket



1.5" Pre-emption Bracket

CANADIAN OFFICE/WAREHOUSE  
 1641 Trinity Drive  
 Mississauga, ON L5T 1K4  
[www.traffichardware.com](http://www.traffichardware.com)

CENTRAL OFFICE  
 300 International Drive, Suite 100  
 Buffalo, NY 14221  
[www.traffichardware.com](http://www.traffichardware.com)