



CAN-BRAC™ UNIVERSAL OFFSET SIGN MOUNTING SYSTEM

OVERVIEW

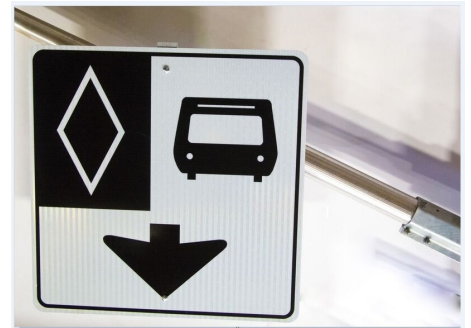
The CAN-BRAC™ Universal Offset Sign Mounting System (UOSMS) is the latest sign mount in our CAN BRAC line of products that combine industry established quality and hands on, practical innovation. The UOSMS like many of our products is simple yet dynamic.

Traditionally sign mounting systems are designed to mount horizontally or vertically for either a pole or a mast arm . Not only can The Universal Offset Sign Mounting System be configured either way but also has a completely adjustable offset that can be simply adjusted to various offset signs in a minute. Available in cable, clamp and band, the mounting possibilities are endless yet seamless.

The CAN BRAC™ Universal Offset Sign Mounting System is made of primary grade aluminum, designed for maximum strength, corrosion resistance and ductility.

FEATURES—ADJUSTABLE OFFSET PLUMBIZER

- Quick and simple installation
- Universal mounting : Vertically or Horizontally



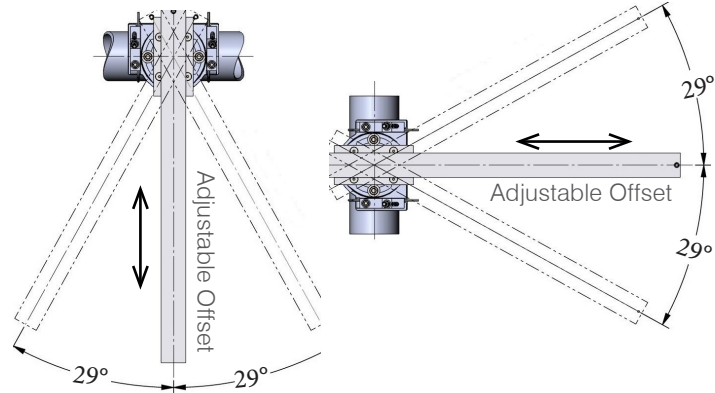
CONTACT US:

CANADA: (905) 670-3444

US/TOLL FREE: 1-844-668-6848



CAN-BRAC UNIVERSAL OFFSET SIGN MOUNTING SYSTEM



ORDERING INFORMATION

PART NUMBER	DESCRIPTION
OSA-024	CAN-BRAC Universal Offset Sign Assembly

SUPPORT & WARRANTY

We believe so much in the quality of our products that we offer an industry leading support and warranty program, five years of warranty from date of initial purchase. If it breaks on installation we will replace it, no questions asked.

SPECIFICATIONS

- Material:** Primary grade aluminum
- Weight:** From 12 lbs
- Finish:** Cast aluminum can be painted as requested
- Machine:** Computer Numeric controlled machining (CNC) to within 0.001" of specification

CANADIAN OFFICE/WAREHOUSE
1641 Trinity Drive
Mississauga, ON L5T 1K4
www.traffichardware.com

CENTRAL OFFICE
300 International Drive, Suite 100
Buffalo, NY 14221
www.traffichardware.com