



CAMERA SETUPS

OVERVIEW

As roadway and intersection monitoring becomes more important for municipalities, the prevalence of cameras will increase. We are able to apply the same adherence to design, quality and safety for securing cameras as we do for securing signals. With our unique style of engineering, we offer camera setups that are exclusive to our line of products.

There are several different configurations, with alternate sizes to fit the needs of any intersection. Our camera setups combine our strongest and most used brackets such as; our Can-Brac Universal and Rubber Cushion Mast Arm Hanger.

FEATURES—CAMERA MOUNTS

- Durable and Safe
- Minimizes stress
- Simplified installation
- Stainless steel hardware



CONTACT US:

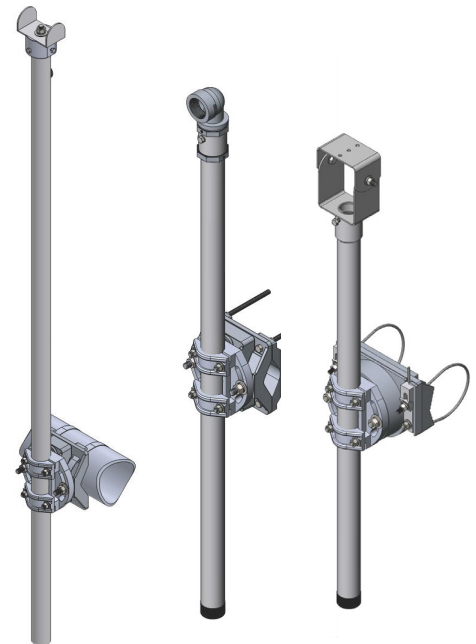
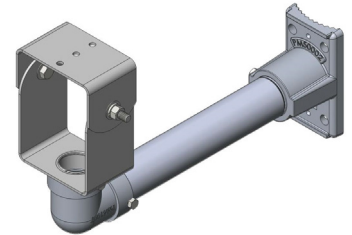
CANADA: (905) 670-3444

US/TOLL FREE: 1-844-668-6848

CAMERA SETUPS

ORDERING INFORMATION

PART NUMBER	DESCRIPTION
CAM-R2JA	Camera Setup, c/w 2ft Arm, Large Pole Plate, "S" Type Hanger, F/F Coupler
CAM-R4JA	Camera Setup, c/w 4ft Arm, Large Pole Plate, "S" Type Hanger
CAM-R6JA	Camera Setup, c/w 6ft Arm, Large Pole Plate, "S" Type Hanger
CAM-CUL048-24	Single Band Arm Assembly, Threaded Bore, 9.5", 12", 16", 18", 20", 24"
CAM-CUL048-38	Camera Setup, c/w Universal Can-Brac, 48" Cables, 38" Gusseted Tube
CAM-CUL048-46	Camera Setup, c/w Universal Can-Brac, 48" Cables, 46" Gusseted Tube
CAM-CUL048-58	Camera Setup, c/w Universal Can-Brac, 48" Cables, 58" Gusseted Tube
CAM-CUL048-74	Camera Setup, c/w Universal Can-Brac, 48" Cables, 74" Gusseted Tube
CAM-CUL096-24	Camera Setup, c/w Universal Can-Brac, 96" Cables, 24" Gusseted Tube
CAM-CUL096-38	Camera Setup, c/w Universal Can-Brac, 96" Cables, 38" Gusseted Tube
CAM-CUL096-46	Camera Setup, c/w Universal Can-Brac, 96" Cables, 46" Gusseted Tube
CAM-CUL096-58	Camera Setup, c/w Universal Can-Brac, 96" Cables, 58" Gusseted Tube
CAM-CUL096-74	Camera Setup, c/w Universal Can-Brac, 96" Cables, 74" Gusseted Tube



SUPPORT & WARRANTY

We believe so much in the quality of our products that we offer an industry leading support and warranty program, five years of warranty from date of initial purchase. If it breaks on installation we will replace it, no questions asked.

SPECIFICATIONS

Finish: Cast Aluminum
Material: Primary grade aluminum/ steel
Colors: Available as required. Please visit our paint page for more details

CANADIAN OFFICE/WAREHOUSE
 1641 Trinity Drive
 Mississauga, ON L5T 1K4
www.traffichardware.com

CENTRAL OFFICE
 300 International Drive, Suite 100
 Buffalo, NY 14221
www.traffichardware.com