



CAN-BRAC CLAMP SIGNAL ASSEMBLY

OVERVIEW

The CAN-BRAC Clamp Signal Assembly is made of primary grade aluminum alloy designed for maximum strength, corrosion resistance and ductility. The cast ribs prevent rotation of the clamp on the master arm, while preventing over torque and clamp failure. Installs on 2-3/8" to 5" tenons using clamps.

The CAN-BRAC has rigid and captive mounting hardware (made of stainless steel). Available in horizontal and vertical options (72° rotation).

The CAN-BRAC pipe extrusion has a unique profile, which eliminates the need for filler extrusions and cross threading during assembly and installation. Flexible wire access extrusion cover ensures easy assembly and maintenance, especially during winter conditions.

FEATURES—CAN-BRAC SIGNAL CLAMP

- Quick and simple installation
- Full stainless steel hardware
- Heavy duty clamp design
- Fits multiple signal configurations
- Ships fully assembled and requires no special tools for installation
- Available with nipple/nut or tri-bolt



CONTACT US:

CANADA: (905) 670-3444

US/TOLL FREE: 1-844-668-6848



CAN-BRAC CLAMP SIGNAL ASSEMBLY

ORDERING INFORMATION

| PART NUMBER | DESCRIPTION |
|-------------|--|
| CCL-300VN | CAN-BRAC Clamp 3 Section Vertical Nipple |
| CCL-400VN | CAN-BRAC Clamp 4 Section Vertical Nipple |
| CCL-500VN | CAN-BRAC Clamp 5 Section Vertical Nipple |
| CCL-000V | Hub Only |

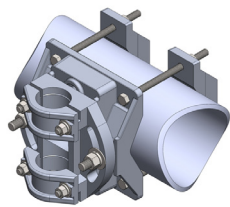
NOTE: For horizontal orientation add suffix "H" to part # in place of V and for TRI BOLT add suffix "T" in place of N, when ordering Band sold separately. Additional options available—contact Sales for detail

SPECIFICATIONS

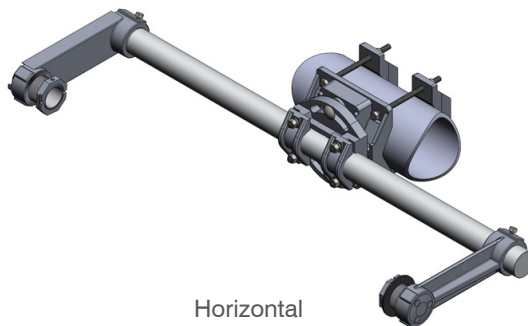
Finish: Cast aluminum
Material: Primary grade aluminum
Machine: Computer numeric controlled machin(CNC) to within 0.001" of specification
Colors: Available as required. Please visit our paint page for colors.

SUPPORT & WARRANTY

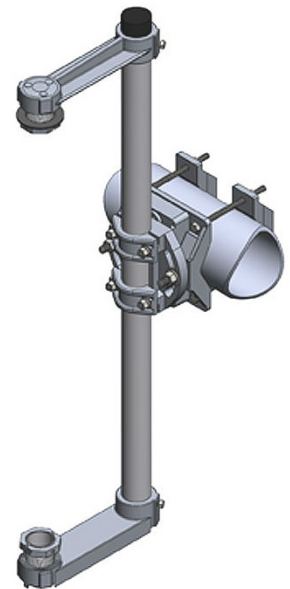
We believe so much in the quality of our products that we offer an industry leading support and warranty program, five years of warranty from date of initial purchase. If it breaks on installation we will replace it, no questions asked.



Clamp Signal Hub



Horizontal



Vertical

CANADIAN OFFICE/WAREHOUSE
 1641 Trinity Drive
 Mississauga, ON L5T 1K4
www.traffichardware.com

CENTRAL OFFICE
 300 International Drive, Suite 100
 Buffalo, NY 14221
www.traffichardware.com