



CAN-BRAC BAND SIGNAL ASSEMBLY

OVERVIEW

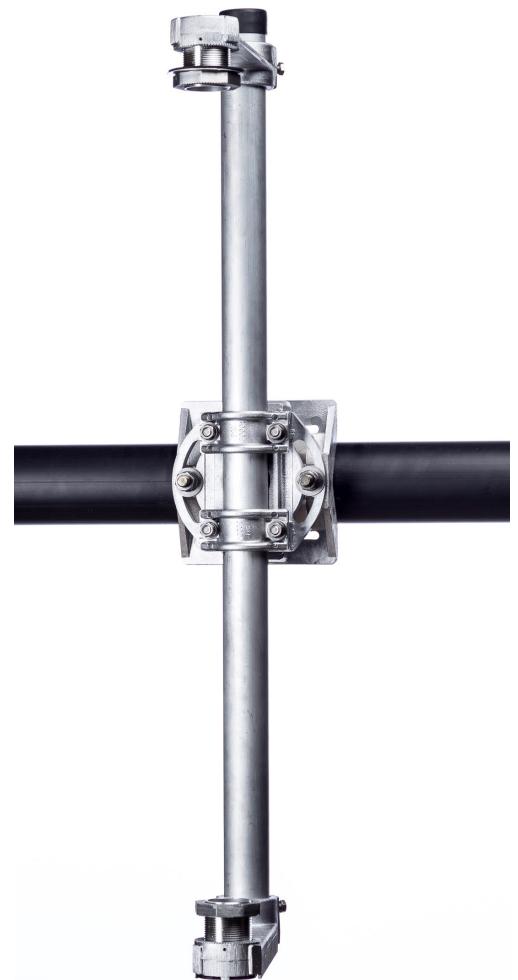
The CAN-BRAC Band Signal Assembly is made of primary grade aluminum alloy designed for maximum strength, corrosion resistance and ductility. This design installs on any size mast-arm from 2 2/8" and up using bands.

The CAN-BRAC Band has rigid and captive mounting hardware (made of stainless steel)—available in Horizontal and Vertical options (72° rotation).

The CAN-BRAC Pipe Extrusion has a unique profile, which eliminates the need for filler extrusions and cross threading during assembly and installation. Flexible wire access extrusion cover ensures easy assembly and maintenance, especially during winter conditions.

FEATURES—CAN-BRAC BAND SIGN ASSEMBLY

- Quick and simple installation
- Full stainless steel hardware
- Fits multiple signal configurations: Vertical, Horizontal, 1-Way, 2-Way and Cluster
- Ships fully assembled and requires no special tools for installation



CONTACT US:

CANADA: (905) 670-3444

US/TOLL FREE: 1-844-668-6848



CAN-BRAC BAND SIGNAL ASSEMBLY

ORDERING INFORMATION

PART NUMBER	DESCRIPTION
CBL-300VN	CAN-BRAC Band 3 Section Vertical Nipple
CBL-400VN	CAN-BRAC Band 4 Section Vertical Nipple
CBL-500VN	CAN-BRAC Band 5 Section Vertical Nipple
CBL-000V	Hub Only

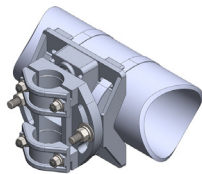
NOTE: For horizontal orientation add suffix "H" to part # in place of V and for TRI BOLT add suffix "T" in place of N, when ordering Band sold separately. Additional options available—contact Sales for detail

SUPPORT & WARRANTY

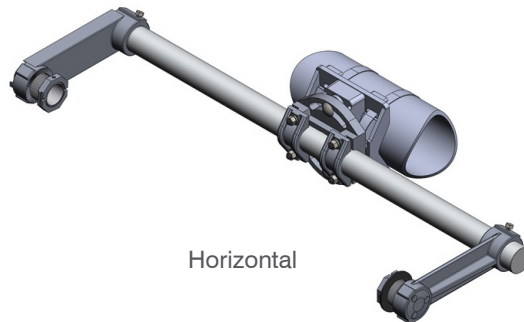
We believe so much in the quality of our products that we offer an industry leading support and warranty program, five years of warranty from date of initial purchase. If it breaks on installation we will replace it, no questions asked.

SPECIFICATIONS

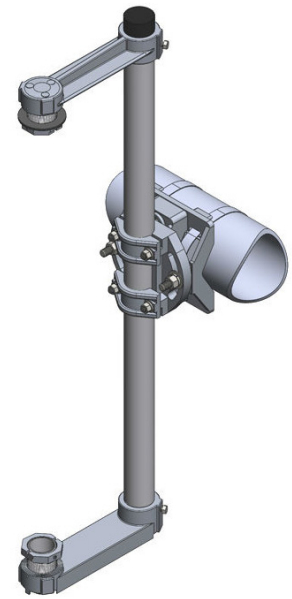
Finish: Cast aluminum
Material: Primary grade aluminum
Machine: Computer numeric controlled machin(CNC) to within 0.001" of Specification
Colors: Available as required. Please visit our paint page for colors.



Band Signal Hub



Horizontal



Vertical

CANADIAN OFFICE/WAREHOUSE
 1641 Trinity Drive
 Mississauga, ON L5T 1K4
www.traffichardware.com

CENTRAL OFFICE
 300 International Drive, Suite 100
 Buffalo, NY 14221
www.traffichardware.com